

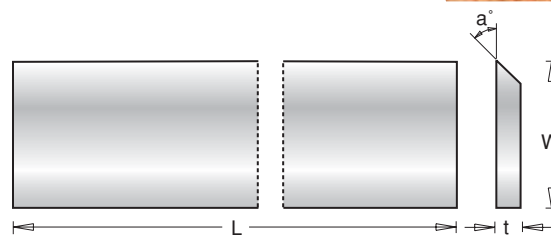
Planer/Jointer Knives



PLANER & JOINTER KNIVES

T-1 HIGH-SPEED STEEL (HSS) 18% TUNGSTEN

New grade T-1 high-speed steel with 18% tungsten content. For comparison, this steel is much harder than M-2 HSS which typically has 12% tungsten. Crafted on state-of-the-art equipment, each knife is ground, honed and individually hand-hammered to exacting tolerances. Many standard sizes available individually or in sets. For a nominal charge, knives can be cut to length. Packaging: Bulk in flat tubes.



HSS PLANER & JOINTER INDIVIDUAL KNIVES (each)

T-1 HIGH-SPEED STEEL (HSS) 18% TUNGSTEN

L	W	Tool No.	t	a°
15	1	P 445	1/8	45°
16	1	P 442	1/8	45°
20	1	P 450	1/8	45°
20	35mm	P 455	1/8	45°
24	1	P 480	1/8	45°
24	1-1/4	P 490	1/8	45°
24	35mm	P 495	1/8	45°
24	11/16	P 520	5/32	45°
25	3/4	P 560	1/8	45°
25	7/8	P 570	1/8	45°
25	1	P 580	1/8	45°
25	1-1/4	P 590	1/8	45°
25	35mm	P 595	1/8	45°
31	3/4	P 640	1/8	45°
31	1	P 650	1/8	45°
31	1-1/4	P 660	1/8	45°
37	5/8	P 700	1/8	45°
37	3/4	P 710	1/8	45°
37	7/8	P 715	1/8	45°
37	1	P 720	1/8	45°
37	1-1/8	P 726	1/8	45°
37	1-1/4	P 730	1/8	45°
37	1-1/2	P 772	1/8	45°
37	1-3/4	P 773	1/8	45°
37	5/8	P 740	3/32	45°
37	3/4	P 750	3/32	45°
37	3/4	P 712	5/32	45°
37	1	P 722	5/32	45°
37	1-1/8	P 762	5/32	45°
37	1-1/4	P 770	5/32	45°
37	1-3/8	P 771	5/32	45°
37	1-1/2	P 774	5/32	45°

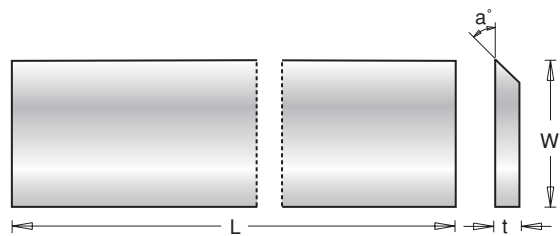
METRIC SIZES

L	W	Tool No.	t	a°
New 10	30mm	P 432	1/8	45°
37	30mm	P 727	3mm	45°
37	30mm	P 725	1/8	45°
37	35mm	P 735	1/8	45°
400mm	30mm	P 724	3mm	45°
400mm	35mm	P 732	3mm	45°
500mm	35mm	P 734	3mm	45°
37	35mm	P 736	4mm	45°
600mm	35mm	P 457	3mm	45°
700mm	35mm	P 461	3mm	45°
1 meter	3/4	P 460	3mm	45°
1 meter	1	P 459	3mm	45°
1 meter	35mm	P 458	3mm	45°

Planer/Jointer Knives

HSS PLANER & JOINTER KNIFE SETS

**T-1 HIGH-SPEED STEEL (HSS)
18% TUNGSTEN**



L	W	t	Tool No.	a°	Knives Per Set
4	5/8	1/8	P 100	45°	3
4	3/4	1/8	P 110	45°	3
4-3/8	5/8	1/8	P 130	45°	3
6	5/8	1/8	P 150	45°	3
6	5/8	1/8	P 160	45°	4
6	3/4	1/8	P 165	45°	3
6	7/8	1/8	P 170	45°	3
6-1/16	5/8	3/32	P 190	45°	3
6-1/8	5/8	1/8	P 220	45°	3
6-1/8	3/4	1/8	P 230	45°	3
8	5/8	1/16	P 250	45°	4
8	5/8	1/8	P 270	45°	3
8	3/4	1/16	P 280	45°	3
8	3/4	1/8	P 290	45°	3
New 8	3/4	1/8	P 294	45°	4
8	7/8	1/8	P 300	45°	3
8	1	1/8	P 310	45°	3
8-1/16	5/8	3/32	P 340	45°	3
12	5/8	1/8	P 360	45°	3
12	3/4	1/8	P 370	45°	3
12	7/8	1/8	P 380	45°	3
12	1	1/8	P 390	45°	3
12	1-1/4	1/8	P 395	45°	3
12-1/4	3/4	1/8	P 410	45°	3
12-1/4	1	1/8	P 420	45°	3
12-1/2	7/8	1/8	P 430	45°	3
12-1/2	11/16	1/8	P 431	45°	3
13-1/8	5/8	1/8	P 434	45°	3
13-1/8	11/16	5/32	P 440	45°	3
16-1/4	1-1/4	5/32	P 443	45°	3
18	1-1/4	5/32	P 444	45°	3
18-1/8	1-1/8	5/32	P 446	45°	3
18-1/4	1-1/4	5/32	P 448	45°	3
20-1/4	1-1/4	5/32	P 452	45°	3

METRIC SIZES

L	W	t	Tool No.	a°	Knives Per Set
100mm	30mm	3mm	P 120	45°	4
130mm	30mm	3mm	P 140	45°	4
150mm	30mm	3mm	P 180	45°	4
180mm	30mm	3mm	P 240	45°	4
230mm	30mm	3mm	P 345	45°	4

Planer/Jointer Knives



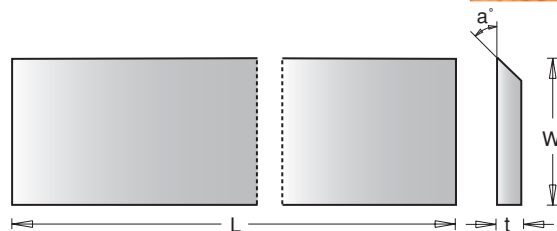
PLANER & JOINTER KNIVES SOLID CARBIDE

Ready to use: fully ground and honed Solid Carbide micro-grain planer & jointer knives. All knives are bevel-edged, and are perfectly parallel and flat, with no mounting holes or slots. Mirror finish, ground from 600 grit diamond wheels. Sold each.

L	W	Tool No.	t	a°
4	5/8	PSC-100	1/8	45°
4	3/4	PSC-110	1/8	45°
6	5/8	PSC-120	1/8	45°
6	3/4	PSC-130	1/8	45°
8	5/8	PSC-140	1/8	45°
8	3/4	PSC-150	1/8	45°
12	3/4	† PSC-160	1/8	45°
12-1/2	3/4	* PSC-170	.088	45°
15	1	PSC-175	1/8	45°

† Double-sided (reversible) knives for Delta 12" planer, model #540.

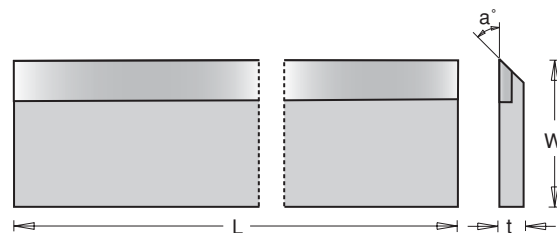
* Double-sided (reversible) knives for Delta 12-1/2" planer, model #560.



PLANER & JOINTER KNIVES CARBIDE TIPPED

An economical alternative to solid carbide knives. Longer tool life than standard HSS knives.

L	W	Tool No.	t	a°
4	3/4	CTP-100	1/8	45°
6	5/8	CTP-110	1/8	45°
6	3/4	CTP-120	1/8	45°
8	5/8	CTP-130	1/8	45°
8	3/4	CTP-140	1/8	45°
12	3/4	CTP-150	1/8	45°
15	3/4	CTP-160	1/8	45°
15	1	CTP-170	1/8	45°
20	1	CTP-200	1/8	45°



PORTABLE PLANER KNIVES SOLID CARBIDE

Solid carbide reversible knives designed for many popular 3-1/4" machines.

The ICK-100 (82mm) will fit many models by AEG, Bosch, Hitachi, Makita, Metabo, Ryobi, Skil, etc.

The ICK-200 (82.7mm) will fit many models by Black & Decker.

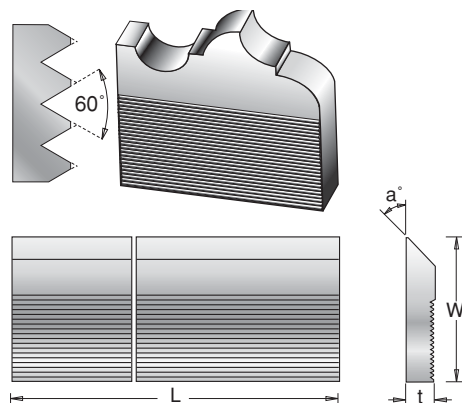
Includes one pair of 2-sided (reversible) knives.

L	W	Tool No.	Thickness
82.0mm (3-1/4")	5.5mm	ICK-100	1.12mm
82.7mm (3-1/4")	5.5mm	ICK-200	1.12mm



CORRUGATED BACK MOULDER STEEL M-2 HIGH-SPEED STEEL (HSS)

L	Tool No. t = 1/4"	Tool No. t = 5/16"	W	a°
25	CSK-100	CSK-300	1-1/4	45°
25	CSK-110	CSK-310	1-1/2	45°
25	CSK-120	CSK-320	1-3/4	45°
25	CSK-130	CSK-330	2	45°
25	CSK-140	CSK-340	2-1/4	45°
25	CSK-150	CSK-350	2-1/2	45°
25	CSK-160	CSK-360	2-3/4	45°
25	CSK-170	CSK-370	3	45°



PLANER/JOINTER KNIVES