



Straight Plunge



TRIMMING & BEVELING



Grooving



Profiling



Rabbeting



Jointing



Door Making



Solid Surface

Router Bits



ROUTER BITS

FLUSH TRIM WITH BALL BEARING GUIDE

Use any of the flush trimming bits below for laminate work or for template and pattern work. For template application, the bearing follows the template, while the cutting edges trim the workpiece. With the router handheld, the template is on the bottom of the work. With a table-mounted router, the template is on top. A two-flute bit is a good general-purpose choice, providing fast cuts and good finishes. Excellent for template work.



2 FLUTE

ØD	B	Tool No.	Ød	L
1/4	1/2	*47090	1/4	2-1/4
1/4	1	*47092	1/4	2-1/2
3/8	1/2	47102	1/4	2-1/8
3/8	1	47100	1/4	2-5/8
3/8	1	47101	1/2	3-1/8
New 3/8	1	†47103	3/8	2-7/8
1/2	1	47104	1/4	2-5/8
New 1/2	13/16	RC-47104	1/4	2-5/16
1/2	1/2	47106	1/4	2-1/4
1/2	1	47108	1/2	3-1/4
1/2	1/2	47110	1/2	2-3/4
1/2	1	47112	3/8	2-7/8
3/4	1	47140	1/2	3-1/4
3/4	1-1/4	47141	1/2	3-1/2

*1/4" diameter for closer inside corner cutting only; bearings not guaranteed due to size. Replacement Bearings: *1/4" dia. use #47723, 3/8" dia. use #47702, 1/2" dia. use #47706, 3/4" dia. use #47714. Undersized bearing (.492" dia.), use #47715 - for use after re-sharpening (1/2" dia. only).

† Single Flute, for the RV industry.

RC Replacement Knife #RCK-262 (2 Required)

For an extremely smooth finish, choose the three-flute configuration. It is especially good to use on laminates that tend to chip easily.

3 FLUTE

ØD	B	Tool No.	Ød	L
1/2	1	47114	1/4	2-5/8
1/2	1/2	47116	1/4	2
1/2	1	47118	1/2	3-1/4
New 1/2	1	**47118-2	1/2	3-5/8
1/2	1/2	47120	1/2	2-5/8

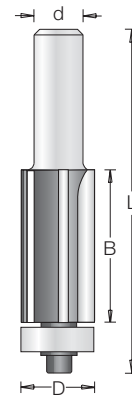
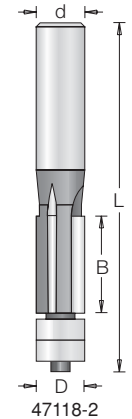
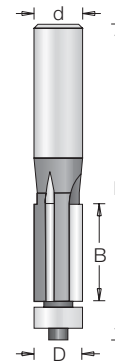
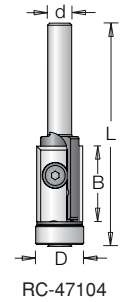
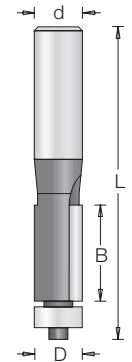
Standard replacement bearing (.500" dia.), use #47706. Undersized bearing (.492" dia.), use #47715 - for use after re-sharpening. **Durable ball bearing for added stability.

For a super-smooth cut finish, use a four-flute bit. Feed rate is reduced, and chipping is virtually eliminated.

4 FLUTE

ØD	B	Tool No.	Ød	L
3/4	1	57184	1/2	3
3/4	1-1/2	57185	1/2	4
3/4	2	57186	1/2	4-1/2

Standard replacement bearing (steel) use #47714. Optional Delrin® replacement bearing (steel) use #47709, for solid surface application.



Router Bits



Straight Plunge



TRIMMING & BEVELING



Grooving



Profiling



Rabbeting



Jointing



Door Making



Solid Surface

ROUTER BITS

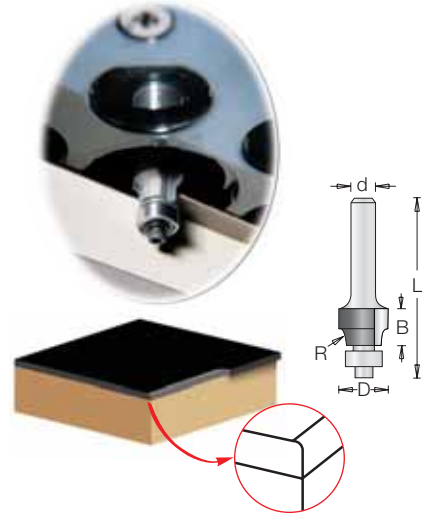
NO-FILE™ WITH BALL BEARING GUIDE

2 FLUTE • US PATENT NO. 4,669,923

Eliminate the time-consuming hand-filing that normally follows each trimming cut on a laminate job. Our patented No-File™ bit “breaks” the sharp edge as it trims the laminate flush.

ØD	B	R	Tool No.	Ød	L
1/2	3/8	.059 (1.5mm)	47150	1/4	1-7/8
1/2	3/8	.059 (1.5mm)	47152	1/2	2-1/8
1/2	3/8	.015 (0.4mm)	47154	1/4	1-7/8

NOTE: #47154 is for laminates .025"-.038" thick (.4mm radius), #'s 47150-47152 are for laminates .042"-.052" thick (1.5mm radius). Replacement bearing #47704 (3/8" dia.).

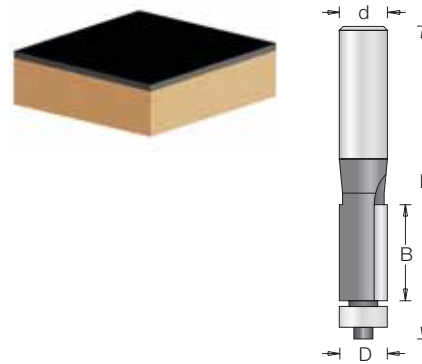


FLUSH TRIM (EXTRA LONG) W/BALL BEARING GUIDE

Use this bit for template or pattern work where the workpiece is unusually thick. The two-flute configuration cuts fast and produces a smooth finish. For a superior finish, use the three-flute version. Twin bearings on selected tools provide better contact with reference edge and more stability in the cut.

2 FLUTE

ØD	B	Tool No.	Ød	L
1/2	1-1/2	47124	1/2	3-7/8
1/2	2	47126	1/2	4-1/4
1/2	1-1/2	**47124-2	1/2	4-1/16
1/2	2	**47126-2	1/2	4-3/8



3 FLUTE

ØD	B	Tool No.	Ød	L
1/2	1-1/2	47128	1/2	3-7/8
1/2	1-1/2	**47128-2	1/2	4-1/16

** Denotes double ball bearing for added stability.

Standard replacement bearing (.500" dia.), use #47706.

Undersized bearing (.492" dia.), use #47715 - for use after re-sharpening.

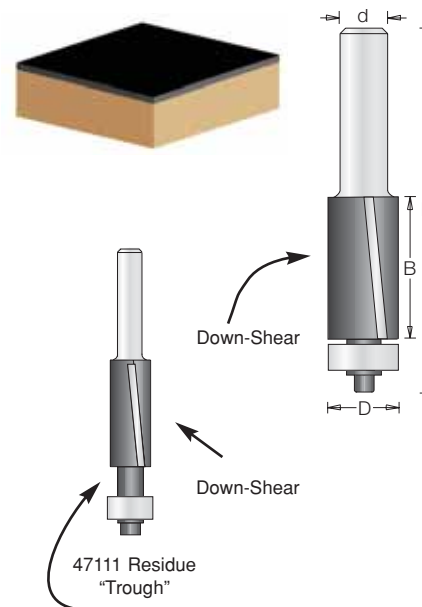
DYNABIT™ LAMINATE TRIM W/BALL BEARING GUIDE

2 FLUTE

The Dynabit™ line features a modest down-shear for an excellent finish. The helix bits have a spiral-like twist to the cutting edges, making them especially good on difficult materials such as melamine. An adhesive-trapping gap between cutting edges and pilot bearing is featured on tools #47111 & #47113.

ØD	B	Ød	L	Tool No.	Type	Replacement Bearing
1/2	1	1/4	2-5/8	47105	Down-shear	47706
1/2	1	1/2	3	47109	Down-shear	47706
1/2	1	1/4	2-7/8	47111	Down-shear	47706
1/2	1	1/2	3-1/4	47113	Down-shear	47706
1/2	2	1/2	4	47129	Down-shear	47706
5/8	5/8	1/4	2	47180	Flush Helix	47712
3/4	5/8	1/4	2-1/4	47182	Flush Helix	47714
3/4	3/8	1/4	2	47184	15° Bevel	47714

NOTE: Down-shear bits are not intended for router table use.





Straight Plunge



TRIMMING & BEVELING



Grooving



Profiling



Rabbeting



Jointing



Door Making



Solid Surface

Router Bits



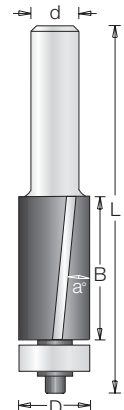
SUPERTRIM™ 3° SHEAR W/BALL BEARING GUIDE

2 FLUTE

For exceptional cutting speed, coupled with a super-fine finish, use these large-diameter flush trim bits on a standard router. Available in either up-shear or down-shear. Especially suitable for solid surface material when used with optional #47709 Delrin® bearing. Furnished with steel bearing #47714.

ØD	a°	B	Tool No.	Ød	L	Type
3/4	3°	1-1/2	47130	1/2	3-7/8	Up-shear
3/4	3°	2	47134	1/2	4-1/4	Up-shear
3/4	3°	1	47135	1/2	3	Down-shear
3/4	3°	1-1/2	47136	1/2	3-7/8	Down-shear
3/4	3°	2	47138	1/2	4-1/4	Down-shear

NOTE: Down-shear bits are not intended for router table use.
Steel replacement bearing #47714. Optional Delrin® bearing #47709.



Artwork illustrates up-shear design.

ROUTER BITS

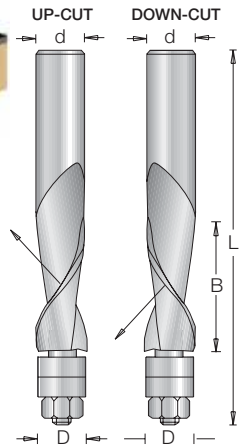
ULTRATRIM™ SOLID CARBIDE SPIRAL TRIM

2 FLUTE WITH DOUBLE BALL BEARING GUIDES

For the ultimate, chip-free finish in laminate, melamine, solid surface and fragile veneers, and for template work of all kinds. The twin ball-bearing pilot enhances the stability of the tool. Available in 'up-cut' and 'down-cut' spirals.

ØD	B	'Up-cut' Tool No.	'Down-cut' Tool No.	Ød	L
1/2	1-1/4	46300	46400 <i>New</i>	1/2	3-3/4
1/2	2	46304	46404 <i>New</i>	1/2	4-3/4

Standard Replacement Bearing: (.500" dia.), use #47706.
Undersized bearing (.492" dia.), use #47715 - for use after re-sharpening.
Replacement nut: use #67086.



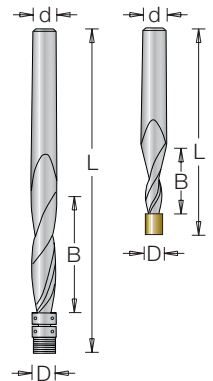
ULTRATRIM™ SOLID CARBIDE SPIRAL TRIM

2 FLUTE • UP-CUT OR DOWN-CUT SPIRAL

Spiral flush trim bit, #46196 is used for acrylic and wood (such as MDF) up to a 1/4" thick, for getting into tight corners with a small radius and great for cleaning out your edges. #46197 is mainly used for acrylic and wood (such as MDF) up to a 1/2" thickness.

ØD	B	'Up-cut' Tool No.	'Down-cut' Tool No.	Ød	L
‡ 1/8	3/8	* 46196	* 46296	1/4	2
◆ 1/4	1	46197	46297	1/4	3

* **NOTE:** Due to extremely small cutting diameter this bit is not guaranteed.
‡Brass pilot guide
◆Double ball bearing pressed



Router Bits



Straight Plunge



TRIMMING & BEVELING



Grooving



Profiling



Rabbeting



Jointing



Door Making



Solid Surface

ROUTER BITS

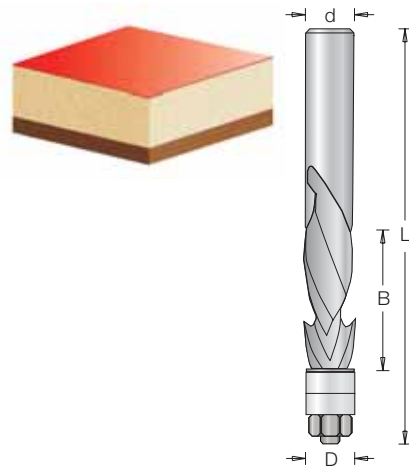
SOLID CARBIDE COMPRESSION SPIRAL

2 FLUTE WITH DOUBLE BALL BEARING GUIDES

Spiral bits produce razor-sharp cutting edges in flush trimming. The twin ball-bearing pilot enhances the stability of the tool. This bit offers an up-cut/down-cut combination.

ØD	B	Tool No.	Ød	L
1/2	1-1/4	46192	1/2	3-3/4

Replacement bearing #47706.
Replacement nut: use #67086.



ECONOMY INSERT FLUSH TRIM

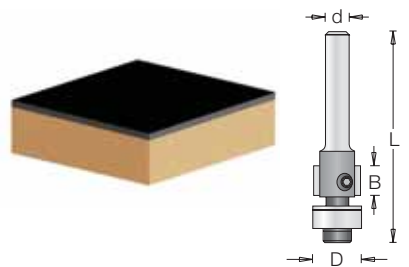
2 FLUTE WITH BALL BEARING GUIDE



Get the practicality and productivity of an insert bit for the cost of a standard brazed-tip bit. The small two-sided carbide insert knives usually can be changed without altering the bit setup in the router. Because the knives aren't heated for brazing, it can be made of a harder grade of carbide and it will hold its edge longer. Ideal for both standard routers and laminate trimmers.

ØD	B	Tool No.	Ød	L	Replacement Knives
1/2	8mm(5/16)	RC-2000	1/4	2-1/4	RCK-8

Replacement bearing #47706. Replacement knife hex key #5011.
Replacement knife screws #67016. Replacement bearing screw #67018.
Allen key for bearing #5007.



INSERT FLUSH TRIM

2 FLUTE WITH BALL BEARING GUIDE

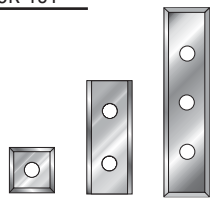
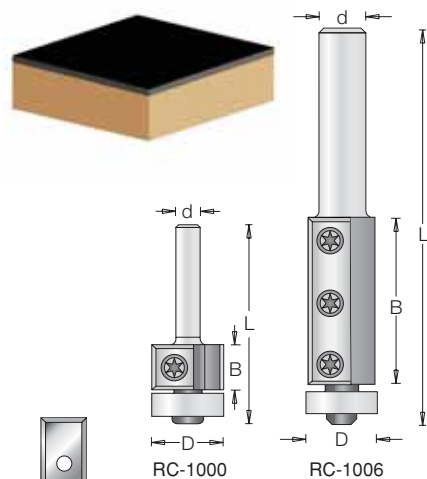
In a production environment, insert tooling reduces downtime to a minimum. Each throw-away knife in this flush trimming bit has multiple edges. Rotate the knife to expose a fresh cutting edge. Tips can be replaced at any time, even mid-job, without changing the router setup.

ØD	B	Tool No.	Ød	L	Replacement Knives
3/4	12mm	RC-1000	1/4	2-1/8	AMA-12
3/4	30mm	RC-1002	1/4	2-3/4	ICK-30
3/4	30mm	RC-1004	1/2	3-1/4	ICK-30
3/4	50mm	*RC-1006	1/2	4-5/16	RCK-151

*This tool is meant for difficult work. The knives are held with 3 screws.

NOTE: RC-1000 & RC-1006 have four cutting edges per knife.
#s RC-1002 & RC-1004 have two cutting edges per knife.

Torx® key included - #5005.
Replacement bearing #47711.
Replacement knife screws #67115.
Replacement bearing screws #67176.



AMA-12 ICK-30 RCK-151



Straight Plunge



TRIMMING & BEVELING



Grooving



Profiling



Rabbeting



Jointing



Door Making



Solid Surface

Router Bits



ROUTER BITS

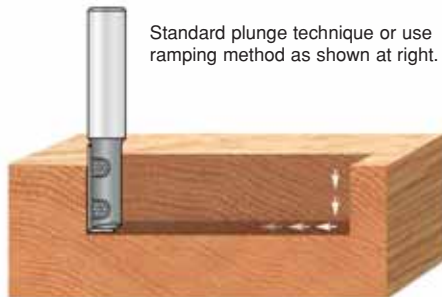
INSERT STRAIGHT SINGLE FLUTE & 2 FLUTE

ØD	B	Ød	L	Tool No.	Flutes	Repl. Knives	Repl. Screws
1/2	30mm	1/2	3	RC-1154	1	AMA-30	67117
<i>New</i> 1/2	30mm	1/2	3	** RC-1154-LH	1	AMA-30	67117
5/8	30mm	1/2	3-3/8	RC-1156	1	RCK-30	67117
5/8	50mm	1/2	4-1/8	RC-1158	1	RCK-50	67117
3/4	30mm	1/2	3-3/8	RC-1160	1	RCK-30	67117
3/4	50mm	1/2	4-1/8	RC-1162	1	RCK-50	67117
7/8	30mm	1/2	3-3/8	RC-1164	1	RCK-30	67117
7/8	50mm	1/2	4-1/8	RC-1166	1	RCK-50	67117
5/8	30mm	1/2	3-3/8	RC-1080	2	AMA-30	67117
5/8	50mm	1/2	4-1/8	* RC-1082	2	AMA-30	67115
3/4	30mm	1/2	3-3/8	RC-1084	2	RCK-30	67115
3/4	50mm	1/2	4-1/8	* RC-1086	2	RCK-30	67115
7/8	30mm	1/2	3-3/8	RC-1088	2	RCK-30	67115
7/8	50mm	1/2	4-1/8	* RC-1090	2	RCK-30	67115

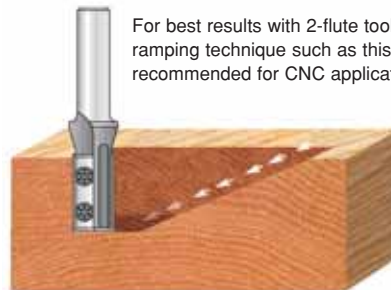
* 50mm cutting edge is achieved using two 30mm staggered knives.

** Left hand rotation.

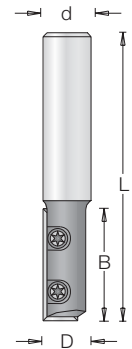
NOTE: All above plunge bits have four cutting edges per knife. #5005 Torx® key included. Metric sizes from 12mm to 22mm available on special order — please inquire.



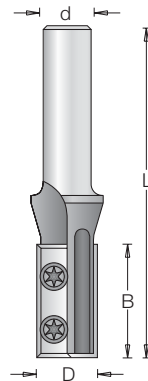
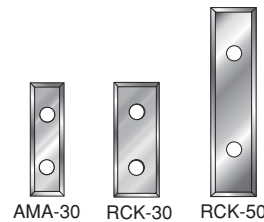
Standard plunge technique or use ramping method as shown at right.



For best results with 2-flute tools, a ramping technique such as this is recommended for CNC applications.



RC-1154
INSERT
PLUNGE BIT
(1-Flute)



RC-1080
INSERT
STRAIGHT BIT
(2-Flute)

INSERT STRAIGHT SINGLE FLUTE & 2 FLUTE

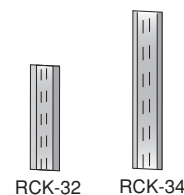
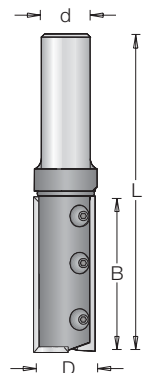
These router bits yield cuts which are cleaner than typical insert bits, offering high speed cuts with super clean finish. They also are channel set, double edge knives. Each blade has a double-sided cutting edge for economy. The insert carbide is much harder than brazed carbide. There is minimum amount of downtime for blade changes.

ØD	B	Ød	L	Tool No.	Flutes	Repl. Knives	Repl. Screws
3/8	20mm	1/2	2-7/8	RC-3100	1	RCK-32	67104
1/2	30mm	1/2	3-1/8	RC-3110	1	RCK-34	67105
1/2	30mm	1/2	3-1/8	RC-3200	2	RCK-34	67105

Replacement 3 x .5mm set screws for #RC-3100 use #67015 (4mm long);

#RC-3110 & #RC-3200 use #67016 (5mm long); all others use #67017 (6mm long).

Replacement 1.5mm special hex key #5011.



Router Bits



Straight Plunge



TRIMMING & BEVELING



Grooving



Profiling



Rabbeting



Jointing



Door Making



Solid Surface

ROUTER BITS

INSERT BEVEL TRIM™

2 FLUTE WITH BALL BEARING GUIDE

These knives are canted for bevel-trimming. Four different bevel angles are available.

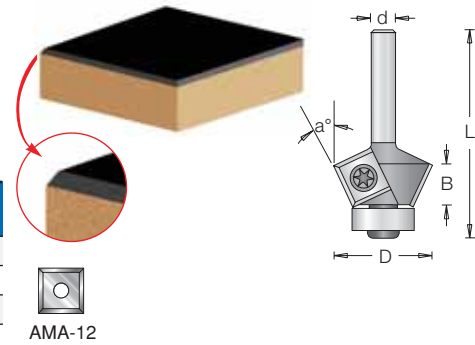
ØD	a°	B	Tool No.	Ød	L	Replacement Knives
13/16	15°	7/16	RC-1008	1/4	2-1/4	AMA-12
31/32	25°	7/16	RC-1010	1/4	2-1/4	AMA-12
1	30°	7/16	RC-1012	1/4	2-1/4	AMA-12
1-1/16	45°	7/16	RC-1014	1/4	2-1/4	AMA-12
<i>New</i> 1-15/32	75°	9/16	RC-1016	1/4	2-3/16	AMA-12

NOTE: All bevel trim bits have four cutting edges per knife.

Torx® key included.

Replacement bearing for RC-1014 use #47701. All others use #47712 bearing.

Replacement knife screws #67115.



SPOILBOARD SURFACING INSERT CUTTER

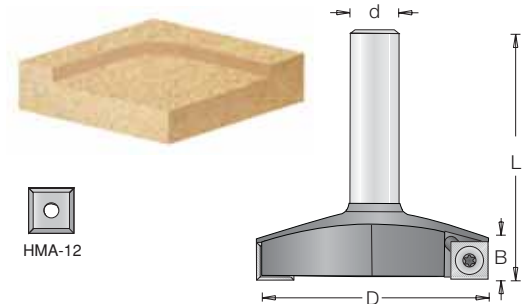
2 WINGS

Used in resurfacing of particle board, MDF and balsa core material. Utilizes 4-sided carbide inserts.

ØD	B	Tool No.	Ød	L	Replacement Knives
2-1/2	1/2	RC-2257	1/2	2-1/2	HMA-12
4	1/2	RC-2258	3/4	4	HMA-12

Replacement screws #67115

Replacement wrench #5005



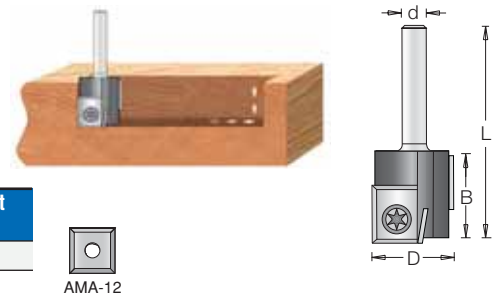
ECONOMY INSERT STAGGERED PLUNGE

2 FLUTE

Staggered insert knives along with a fixed plunge knife (see diagram), utilizes 4-sided carbide inserts. Economically priced.

ØD	B	Tool No.	Ød	L	Replacement Knives
3/4	3/4	RC-1024	1/4	2	AMA-12
<i>New</i> 7/8	1/2	RC-1022	1/4	1-3/4	AMA-12
7/8	3/4	RC-1026	1/4	2	AMA-12

Replacement screws #67115. #5005 Torx® key included.



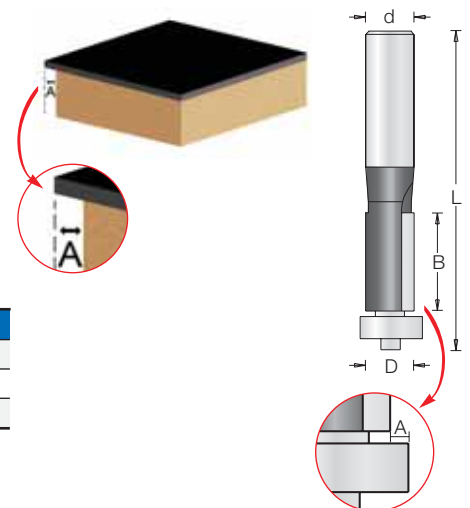
'OVERHANG' TRIM WITH BALL BEARING GUIDE

2 FLUTE

Stage flush trimming cuts, whether in laminate work or template work, with this bit. Trimming the material in two passes reduces chipping in laminates and tearout in solid wood. A preliminary cut with the overhang bit leaves a small overhang in laminate work or, template work, leaves an edge slightly proud of the template. Complete the operation with a final pass using a standard trim bit.

ØD	B	Tool No.	A	Ød	L
3/8	1/2	47190	1/8	1/4	2
1/2	1/2	47192	1/16	1/4	2
1/2	1/2	47194	1/16	1/2	2-5/8

Replacement bearing: #47718.





Straight Plunge



TRIMMING & BEVELING



Grooving



Profiling



Rabbeting



Jointing



Door Making



Solid Surface

Router Bits



ROUTER BITS

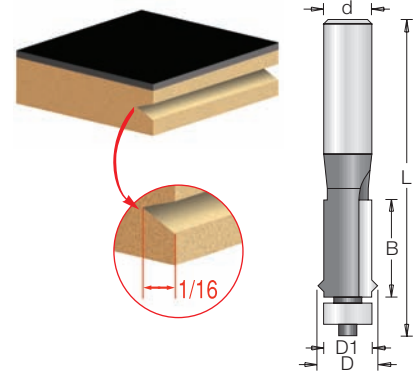
FLUSH TRIM 'V' GROOVE WITH BALL BEARING GUIDE

2 FLUTE

Trim the edges of face frames flush with cabinet sides with this bit. At the same time, cut a decorative 'V' groove to conceal the seam between the frame and the case.

ØD	ØD1	B	Tool No.	Ød	L
5/8	1/2	1	47160	1/4	2-1/2
5/8	1/2	1	47162	1/2	3

Replacement bearing: #47706.



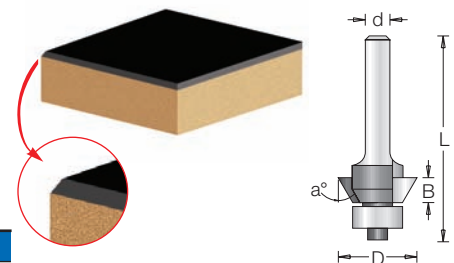
BEVEL TRIM WITH BALL BEARING GUIDE

2 FLUTE

This is a steel-bodied, carbide-tipped bit for bevel trimming laminate with a standard router. The solid construction reduces vibration for the smoothest cut possible with a two-flute bit.

ØD	a°	Tool No.	B	Ød	L
5/8	15°	47200	9/32	1/4	1-7/8
1/2	22°	47201	3/8	1/4	1-3/4
23/32	25°	47202	9/32	1/4	1-7/8
3/4	25°	47206	7/16	1/4	1-7/8
1-1/16	45°	47204	9/32	1/4	2

NOTE: Tool #47206 has a 3/8" diameter bearing for closer inside corner cutting.
Replacement Bearing: Tool #47206 use #47704 bearing. All other tools use #47706 bearing (1/2" dia.) or new #47715 (.492" dia.) for use after resharpening.



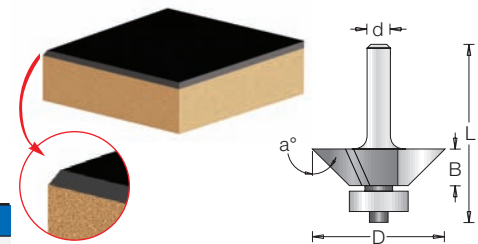
BEVEL TRIM WITH BALL BEARING GUIDE

3 FLUTE

The solid construction of this carbide-tipped bit reduces vibration, and its three-flute configuration produces a very smooth cut. Intended for use in a standard router.

ØD	a°	Tool No.	B	Ød	L
3/4	7°	47302	7/16	1/4	2
51/64	15°	47301	7/16	1/4	2
15/16	23°	47300	7/16	1/4	1-7/8
1-3/32	30°	47304	7/16	1/4	2

Replacement Bearing: #47716



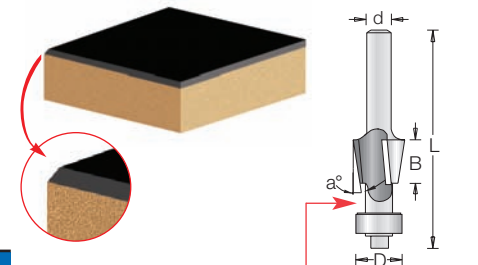
SPECIAL BEVEL TRIM WITH BALL BEARING GUIDE

2 FLUTE

A very shallow bevel angle and the gap between the cutting edges and the ball-bearing pilot are the key features of this carbide-tipped bit. The gap collects adhesive residue that usually fouls the pilot and thus degrade the cut.

ØD	a°	Tool No.	B	Ød	L
5/8	8°	47210	15/32	1/4	2-1/4

NOTE: Tool #47210 is a special 8° bevel tool with a gap (.287") to reduce glue build-up. Standard replacement bearing (.500" dia.) #47706 or new #47715 (.492" dia.) for use after resharpening.



Gap reduces adhesive build-up around bearing area.

Router Bits



Straight Plunge



TRIMMING & BEVELING



Grooving



Profiling



Rabbeting



Jointing



Door Making



Solid Surface

ROUTER BITS

45° LAMINATE MITER JOINT UNDER-CUT ASSEMBLY

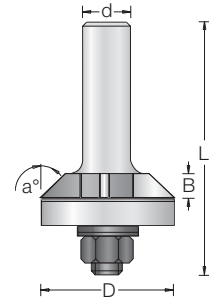
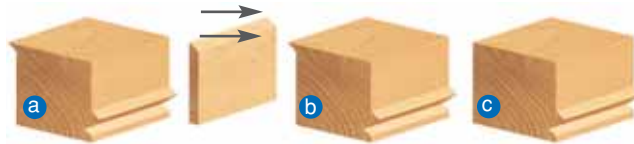
4 WING WITH 'ULTRA-GLIDE'™ BALL BEARING ASSEMBLY

Eliminate that dark line at the edge of a counter or other laminate-covered surface. With this bit assembly, the laminate cemented to the substrate can be trimmed and mitered in one pass. Then a pre-mitered edging strip can be applied. The resulting seam is clean and crisp. Not intended for use in a laminate trimmer.

ØD	a°	Tool No.	B	Ød	L
1-3/8	45°	55312	1/4	1/4	2-3/8
1-3/8	45°	55314	1/4	1/2	2-3/8

Replacement Parts: 45° cutter only: #55310. 'Ultra-Glide'™ bearing: #47727. 1/4" shank arbor: #47600. 1/2" shank arbor: #47604.

- a Laminated top is 'under-cut', as shown.
- b Apron laminate is pre-cut at 45°.
- c Adhere pre-cut laminate for a perfect fit. A fine file may be used to remove the sharp edge after joining.



4 WING BEVEL TRIM CUTTER ASSEMBLY

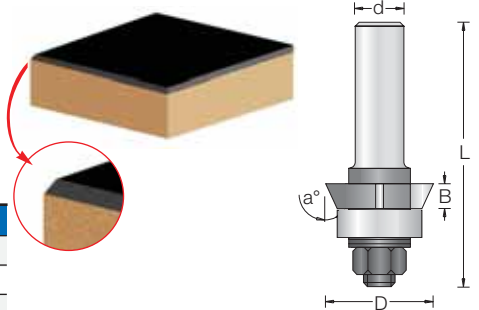
INCLUDES: CUTTER, ARBOR AND BALL BEARING GUIDE

An assembly offers the option of switching cutters—from flush trim to either of two bevel trims—without removing the bit from the router or even changing the depth-of-cut setup. Four flutes yield a smooth, crisp cut finish. All parts can be replaced individually.

ØD	a°	Tool No.	B	Ød	L
7/8	Flush	47400	1/4	1/4	2-3/8
7/8	Flush	47402	1/4	1/2	2-3/8
1	15°	47404	1/4	1/4	2-3/8
1	15°	47406	1/4	1/2	2-3/8
1-1/16	25°	47408	1/4	1/4	2-3/8
1-1/16	25°	47410	1/4	1/2	2-3/8

Replacements: Arbors: 1/4" - #47600, 3/8" - #47602, 1/2" - #47604.

Cutters: Flush - #47500, 15° - #47502, 25° - #47504. Bearing: #47708.



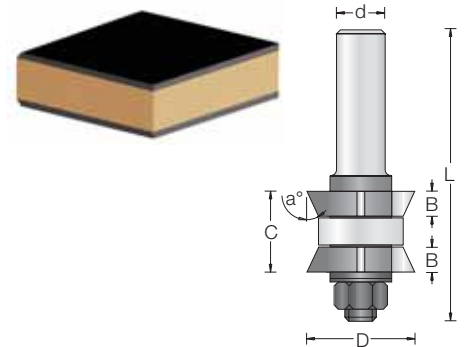
4 WING DOUBLE BEVEL TRIM CUTTER ASSEMBLY

INCLUDES: CUTTER, ARBOR AND BALL BEARING GUIDE

Trim both edges of a countertop in a single pass with this assembly. Four-flute cutters ensure a smooth cut finish. Cutters can be switched with the bit secured in the router and without changing depth-of-cut setting. Not intended for use in a laminate trimmer.

ØD	a°	B	Tool No.	C	Ød	L
7/8	Flush	1/4	47412	15/16	1/2	3
1	15°	1/4	47414	15/16	1/2	3
1-1/16	25°	1/4	47416	15/16	1/2	3

Replacement Parts: Bearing #47708 • Arbor #47612

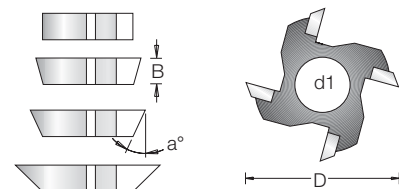


4 WING CUTTERS ONLY

Cutters for the above assembly are available separately.

ØD	a°	B	Tool No.	Ød1	Usage
7/8	Flush	1/4	47500	5/16	T or B
1	15°	1/4	47502	5/16	*T
1	15°	1/4	47502-L	5/16	**B
1-1/16	25°	1/4	47504	5/16	*T
1-1/16	25°	1/4	47504-L	5/16	**B

*Denotes top cutter. **Denotes bottom cutter.





Straight Plunge



TRIMMING & BEVELING



Grooving



Profiling



Rabbeting



Jointing



Door Making



Solid Surface

Router Bits



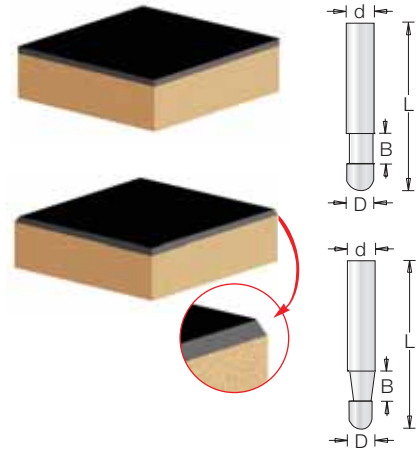
ROUTER BITS

PANEL PILOT SOLID CARBIDE SINGLE FLUTE

Here's the ideal laminate trimming bit for high-volume production. Solid carbide and integral pilot (no bearing to maintain) extend life of bit, slim configuration reduces vibration. Suitable for routers and trimmers.

ØD	B	Tool No.	Ød	L	Type of Cut
1/4	1/4	51200	1/4	1-1/2	Flush
1/4	1/4	51202	1/4	1-1/2	7°
1/4	1/4	*51204	1/4	1-7/16	Flush
1/4	3/8	51206	1/4	1-1/2	Flush

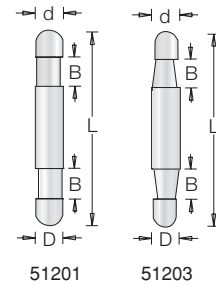
NOTE: *#51204 same as #51200 but with short pilot for dado trimming.



DOUBLE END PANEL PILOT SOLID CARBIDE SINGLE FLUTE

Unique double ended panel pilot bits provide 2 cutting sides in one tool. When the bit dulls, just flip it over!

ØD	B	Tool No.	Ød	L	Type of Cut
1/4	1/4	51201	1/4	2	Flush
1/4	1/4	51203	1/4	2	7° Bevel



HOLE AND FLUSH CUT TRIMMER SOLID CARBIDE SINGLE FLUTE

This bit is used where laminate is applied over pre-cut openings in the substrat. In a continuous operation, bore through the laminate and cut the laminate out of the opening. The plunge point bores through the laminate to begin, and the integral pilot rides along the opening's inside edge to guide the trimming cut.

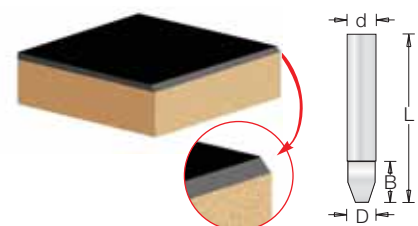
ØD	B	Tool No.	Ød	L
1/4	1/4	51712	1/4	1-1/2



COMBINATION FLUSH AND BEVEL TRIMMER SOLID CARBIDE SINGLE FLUTE

A bit designed specifically for use in a laminate trimmer, that will both flush and bevel trim. A change in cut depth is all it takes to switch from one to the other. Must be used with a separate ball-bearing or edge guide.

ØD	B	Tool No.	Ød	L
1/4	3/8	51706	1/4	1-1/2



Router Bits



Straight
Plunge



TRIMMING
& BEVELING



Grooving



Profiling



Rabbeting



Jointing



Door
Making



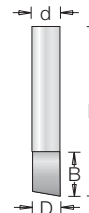
Solid
Surface

RIP AND SLOTTING SOLID CARBIDE

SINGLE FLUTE

Use this bit for cutting sheets of laminate, paneling, and other thin material, as well as plowing narrow slots, dados, and grooves.

ØD	B	Tool No.	Ød	L
1/4	5/16	51708	1/4	1-1/2

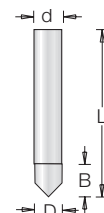


'V' GROOVING SOLID CARBIDE

SINGLE FLUTE

Rout fine-line 'V' grooves in laminate-covered and wooden surfaces with this solid-carbide bit, designed specifically for use in a laminate trimmer.

ØD	B	Tool No.	Ød	L
1/4	3/8	51710	1/4	1-1/2

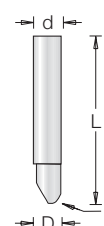


VEINING SOLID CARBIDE

SINGLE FLUTE

Rout fine-line designs in laminate-covered and wooden surfaces with this bit, designed specifically for use in a laminate trimmer. It produces a round-bottomed groove.

ØD	R	Tool No.	Ød	L
1/8	1/16	51700	1/4	1-1/2
3/16	3/32	51702	1/4	1-1/2
1/4	1/8	51704	1/4	1-1/2

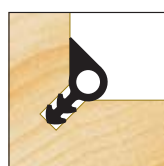
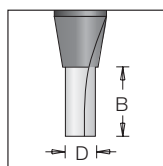
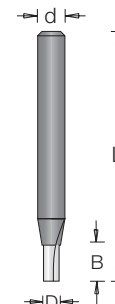


WEATHERSEAL STRAIGHT

SINGLE FLUTE

This bit is used to re-groove door and window frames to allow for insulating inserts to block wind and drafts.

ØD	B	Tool No.	Ød	L
1/8	1/2	43813	1/4	2-1/4





Straight Plunge



TRIMMING & BEVELING



Grooving



Profiling



Rabbeting



Jointing



Door Making



Solid Surface

Router Bits



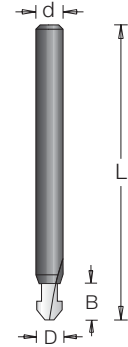
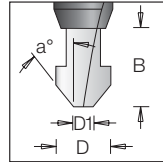
ROUTER BITS

WEATHERSEAL PROFILE

SINGLE FLUTE

This bit is used to re-groove door and window frames to allow for insulating inserts to block wind and drafts.

ØD	D1	B	Tool No.	a°	Ød	L
1/8	1/16	3/8	45729	38°	1/4	2-1/2

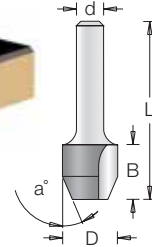
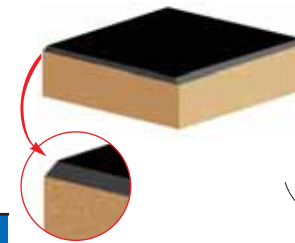


COMBINATION BEVEL AND FLUSH TRIM

Cut, trim, and bevel laminates with one bit. Change depth-of-cut setting to shift from flush- to bevel-trimming. Must be used with an edge or bearing guide or fence. Designed specifically for use in laminate trimmers.

2 FLUTE

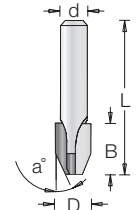
ØD	a°	B	Tool No.	Ød	L
1/2	23°	1/2	51100	1/4	1-3/4
1/2	30°	1/2	51102	1/4	1-3/4



This is a carbide-tipped bevel trim bit designed specifically for use in laminate trimmers.

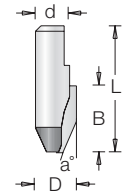
2 FLUTE

ØD	a°	B	Tool No.	Ød	L
11/32	22.5°	1/2	51400	1/4	1-5/8



SINGLE FLUTE

ØD	a°	B	Tool No.	Ød	L
11/32	25°	1/2	51500	1/4	15/16



BEVEL TRIM

2 FLUTE

ØD	a°	B	Tool No.	Ød	L
13/32	22°	9/32	51600	1/4	15/16

