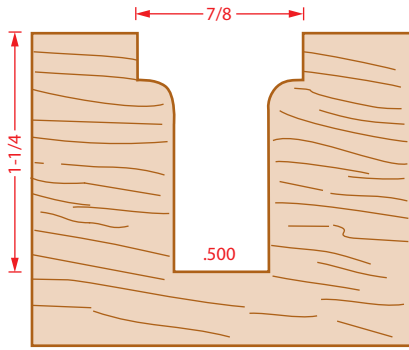
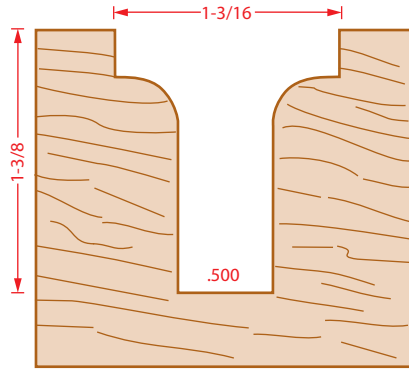


# ROUND-OVER - ELONGATED PLUNGE

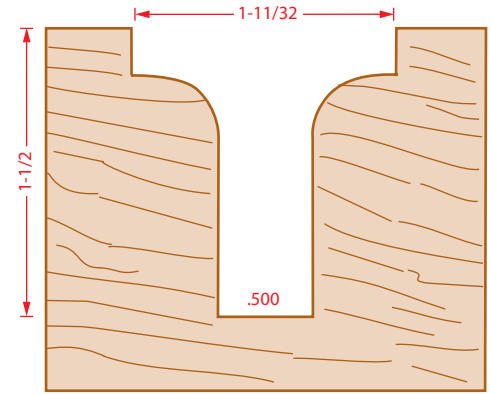
1:1 Wood Sample  
For accuracy print document at 100%



49720



49722



49724

***It is recommended that a test cut be made to ensure accuracy.***

**Copyright © Amana Tool®**

No part of this document may be reproduced in any form without prior written approval from

Amana Tool® Corporation Headquarters, New York

Amana Tool® is not responsible for typographical errors.