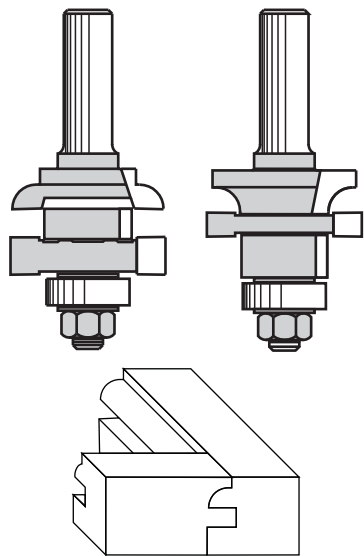
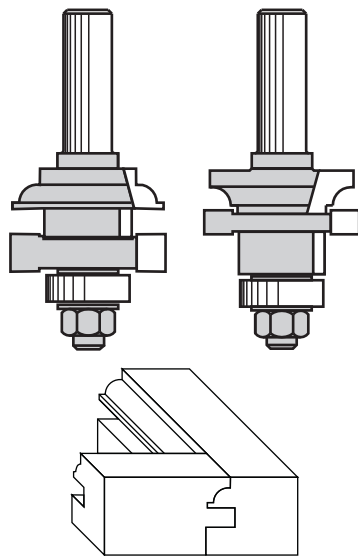


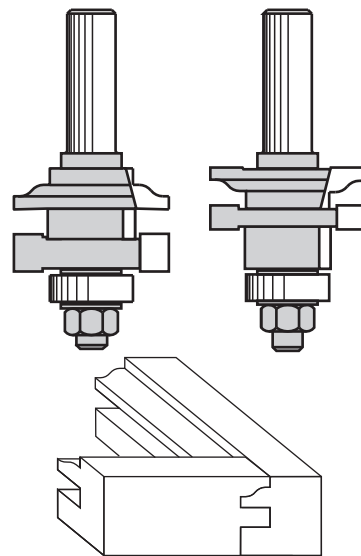
#55420
CONCAVE Set



#55440
BEAD Set

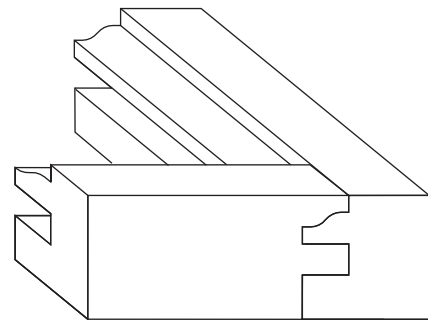


#55430
OGEE Set



2 PIECE STILE RAIL CUTTER SET

PERFECT FRAMES ARE ACHIEVED
BY THE QUALITY TUNGSTEN - CARBIDE
TIPPED CUTTERS



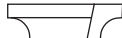
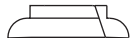
AM-55-02

#55420

CONCAVE Set

ASSEMBLY A
TONGUE PROFILE

ASSEMBLY B
GROOVE PROFILE



Washer 1mm x2
Shims 0.1mm
Shims 0.05mm

Shims 0.1mm
Shims 0.05mm

Groove cutter
Shims 0.1mm
Shims 0.05mm

Groove cutter

Groove cutter

Trim cutter

Washer 1mm

Washer 1mm

Ball bearing

Ball bearing

Washer 1mm

Washer 1mm

Nut

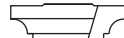
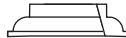
Nut

#55440

BEAD Set

ASSEMBLY A
TONGUE PROFILE

ASSEMBLY B
GROOVE PROFILE



Washer 1mm x2
Shims 0.1mm
Shims 0.05mm

Shims 0.1mm
Shims 0.05mm

Groove cutter
Shims 0.1mm
Shims 0.05mm

Groove cutter

Groove cutter

Trim cutter

Washer 1mm

Washer 1mm

Ball bearing

Ball bearing

Washer 1mm

Washer 1mm

Nut

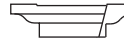
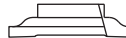
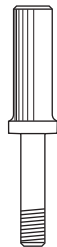
Nut

#55430

OGEE Set

ASSEMBLY A
TONGUE PROFILE

ASSEMBLY B
GROOVE PROFILE



Shims 0.1mm

Shims 0.1mm
Shims 0.05mm

Groove cutter

Groove cutter

Shims 0.05mmx2

Trim cutter

Groove cutter

Washer 1mm

Washer 1mm

Ball bearing

Ball bearing

Washer 1mm

Washer 1mm

Nut

Nut

THIS IS
A
QUALITY
TOOL
REGRINDING
SHOULD
BE
EXECUTED
BY
REPUTABLE
CUTTER SHARPENING
FIRMS
ONLY

