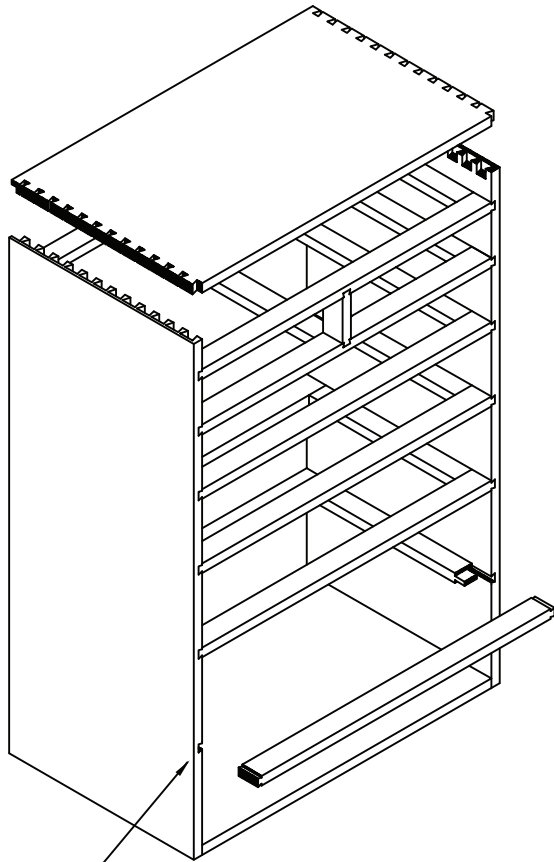
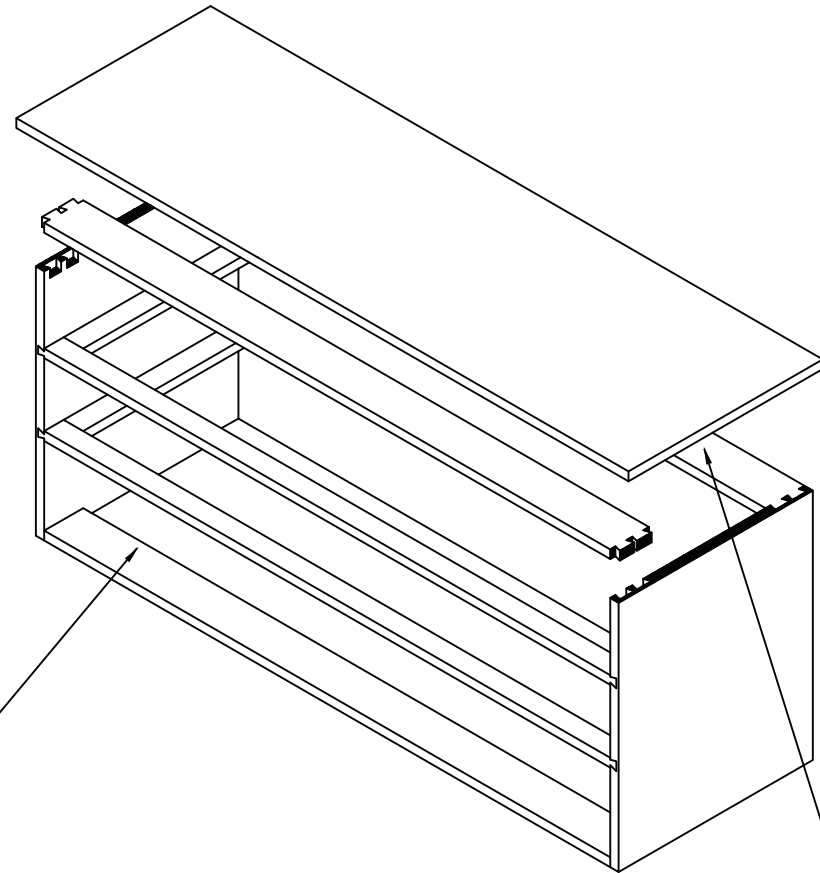


Tall Chest



Cut dovetails with Amana Tool no.45852

Dresser



Drawers are too wide, a center divider is needed

Shape top edge with Amana Tool no.49555