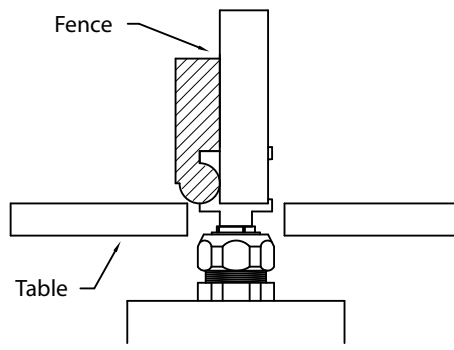
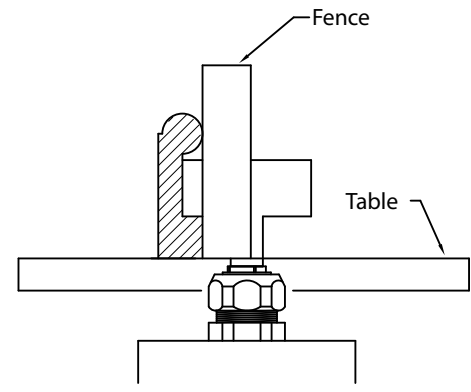


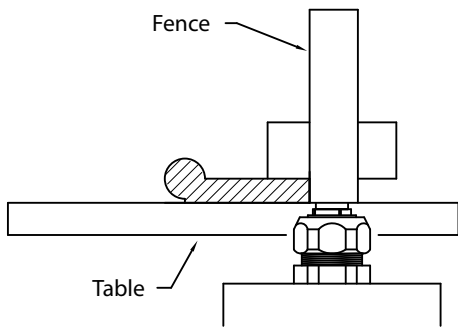
Step One
 Amana Tool no.51559
 Bullnose



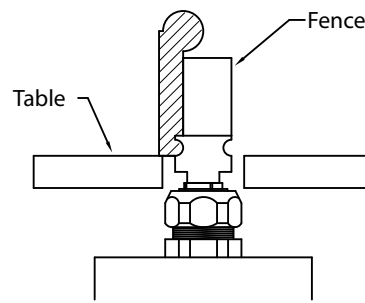
Step Two
 Amana Tool no.51559
 Bullnose



Step Three
 Amana Tool no.49360
 Super Rabbet



Step Four
 Amana Tool no.49360
 Super Rabbet



Step Five
 Amana Tool no.54162
 Corner Bead