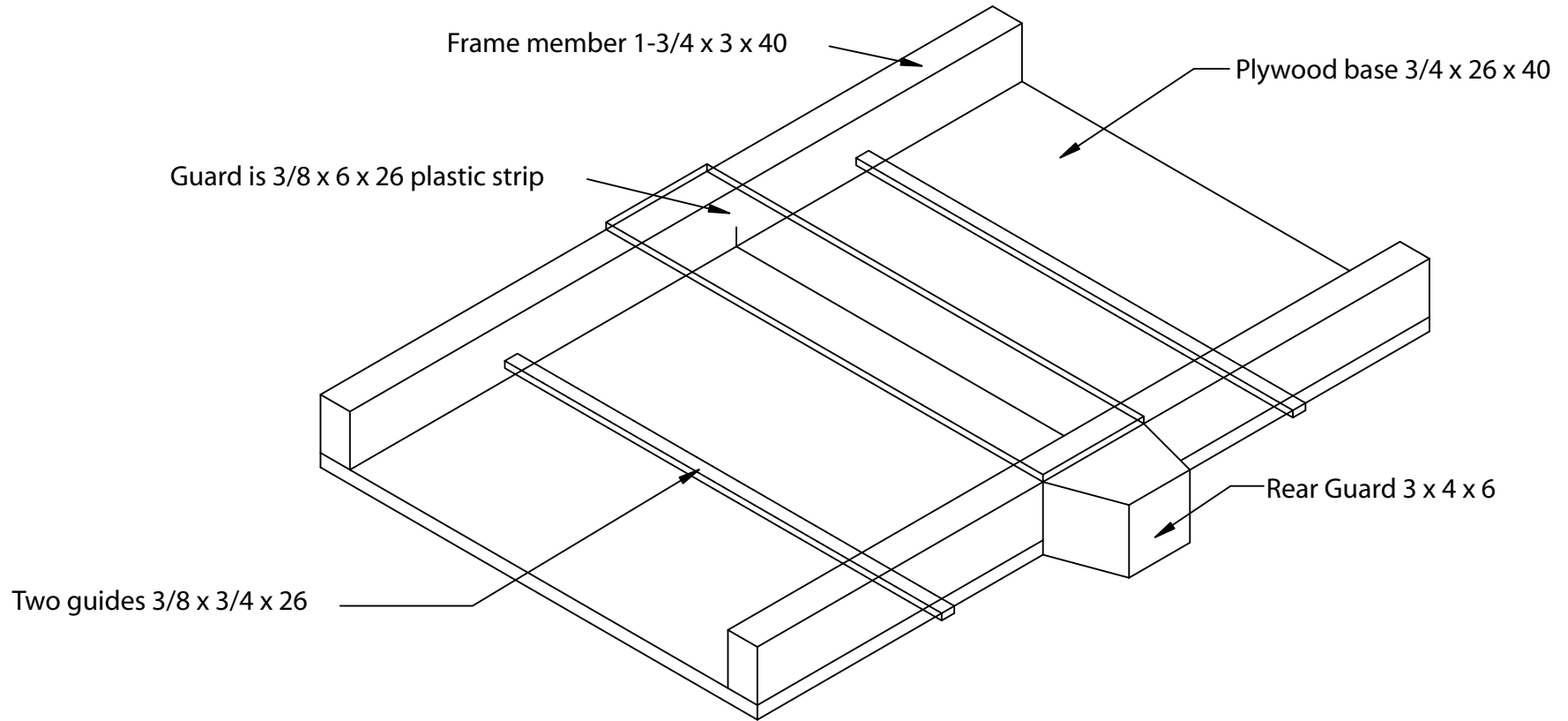


Tablesaw Crosscut Sled



For smooth cuts use Amana Prestige blade