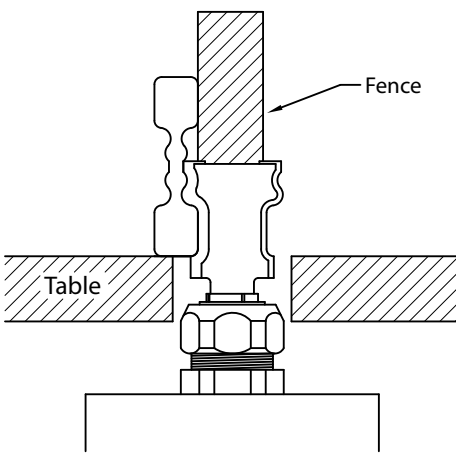
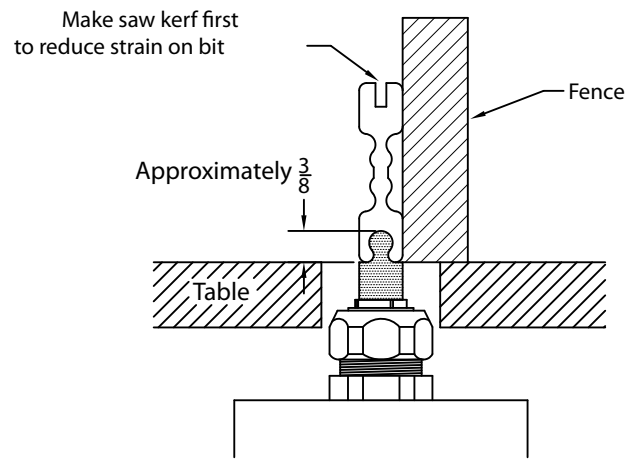


Shaping the Tambour



First Step: Shape tambour face



Second Step: Route socket on tambour edge