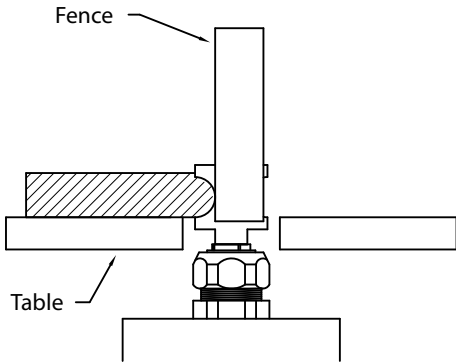
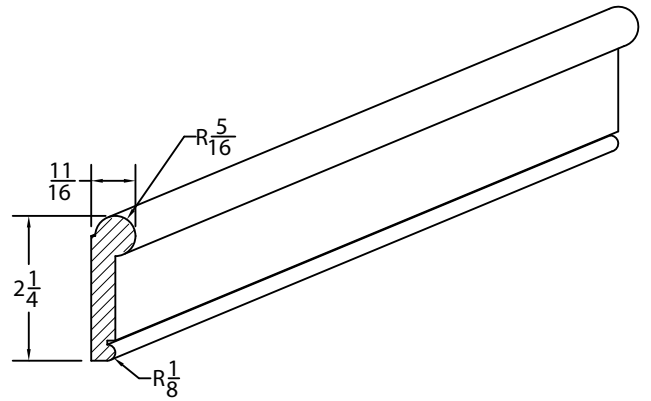


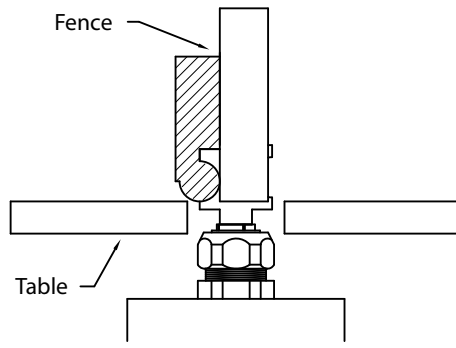


Amana Tool[®]
REDEFINING WOODWORKING™

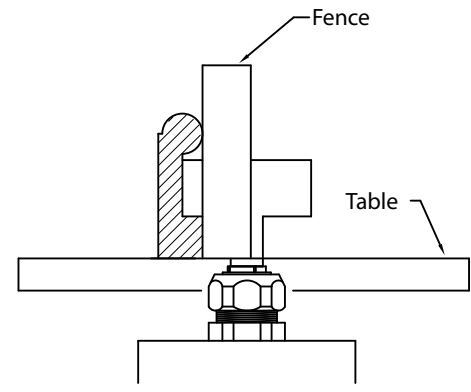
www.amanatool.com



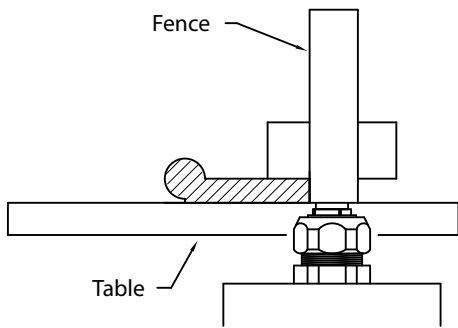
Step One
Amana Tool no.51559
Bullnose



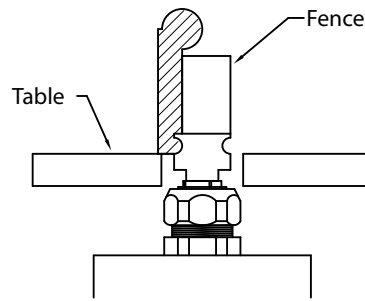
Step Two
Amana Tool no.51559
Bullnose



Step Three
Amana Tool no.49360
Super Rabbet



Step Four
Amana Tool no.49360
Super Rabbet



Step Five
Amana Tool no.54162
Corner Bead